

SEETRONIC

Product Data Sheet

Product Type **BNC Socket**

Product Model **SBB75DFGX-B**

Customer Name

Manufacturer	Prepared	Checked	Approved

Customer	Received	Checked	Confirmed



Product Data Sheet

Product Type	BNC Socket	
Product Model	SBB75DFGX-B	

Product Features

- Provide low return loss values at high frequencies for UHD video signal transmission
- True 75 Ω characteristic impedance design meets stringent UHD requirement
- Standard D-size housing, flush mounted and protected from damage
- Fully compatible with conventional BNC socket connectors
- Non-grounded UHD BNC socket, the model of grounded UHD BNC socket is SBB75DFGX



Product Data Sheet

Product Parameters

Item	Specification
Connection Type	BNC
Gender	Female

Electrical Parameters

Item	Specification
Contact resistance	$\leq 3 \text{ m}\Omega$ (inner) , $\leq 2 \text{ m}\Omega$ (outer)
Dielectric strength	1.5 kVdc
Impedance	75 Ω
Insulation resistance	$> 5 \text{ G}\Omega$
Rated voltage	$< 50 \text{ V}$
Signal type	UHD, SDI, Video, AES/EBU, Composite, YUV, RGB, RGBH, RGBHV



Product Data Sheet

Mechanical Parameters

Item	Specification
Insertion force	≤ 25 N
Withdrawal force	≤ 25 N
Service life	> 1000 mating cycles
Chassis shape	D-size

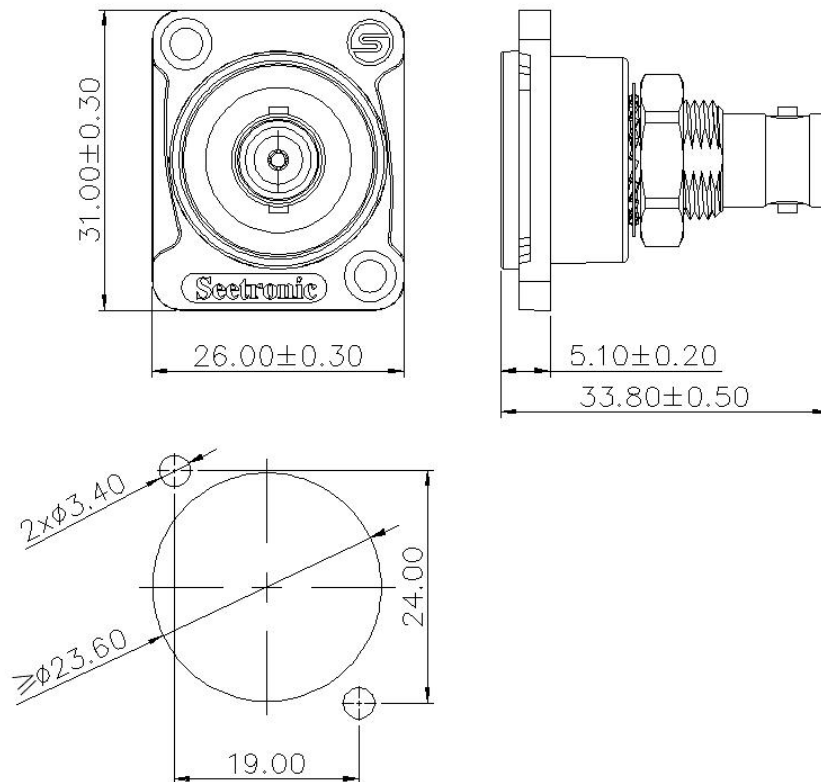
Material and Environmental Parameters

Item	Specification
Housing	Zinc alloy
Housing plating	Black plating
Contacts	Copper alloy
Contact surface	Au
Temperature range	-30°C ~ +85°C



Product Data Sheet

Product Drawing



Unit: mm

Packaging Method

Blister box packaging

20 pcs per blister box, 100 pcs per inner box, 5 inner boxes per master carton (500 pcs per master carton)



Product Data Sheet

Accessory

- | | |
|----------------------------------------------------|----------------------------------------------|
| <input checked="" type="checkbox"/> No accessories | <input type="checkbox"/> Back fastener plate |
| <input type="checkbox"/> Screws and Nuts | <input type="checkbox"/> Other |

Assembly Instructions

Install the socket in front of the panel and tighten the screws in a clockwise direction with 0.5 Nm torque

